

acondicionamiento para hospitales y ambulancias

C/ Narcís Monturiol, 34
08192 Sant Quirze del Vallès
BARCELONA
TEL. 93 714-49-24
Ventas@kartsana.com
www.kartsana.com



Sistema de gestión
certificado

INSTRUCTION MANUAL

RAIL SERIES R-450 S Inox.



*Please read the instruction manual before
usage and keep them for future reference.*



INDEX

1.- Introduction

1.1.- Prologue	1
1.2.- Responsibility and guarantee.....	1
1.3.- Care.....	1

2.- Instruction manual

2.1.- Technical characteristics	2
2.1.1.- Technical characteristics R-450 S Inox.....	2
2.2.- Rail operation and handling	3
2.2.1.- Immobilizing the stretcher on the rail.....	3
2.2.2.- Releasing the stretcher from the rail.....	4

3.- Désinfection

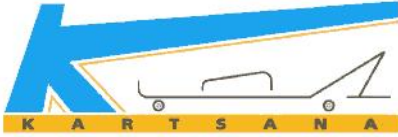
5

4.- Maintenance

5

5.- Exploded view R-450 S

6



OPERATION AND HANDLING OF RAIL R 450 S INOX.

1.- INTRODUCTION

1.1.- Prologue

All the information detailed with regard to product treatment, disinfection and maintenance is conveyed in line with our current knowledge and experience.

We reserve the right to make technical modifications to the rail to improve the product.

The R-450 rail has been tested in line with the UNE-EN 1789 standard.

1.2.- Responsibility and guarantee

The rail should be checked at the time of delivery to the rescue organization. All its functions should be explained in detail. The rescue organization is responsible for training all its employees in the correct use of the rail.

The product is guaranteed for 24 months from the date of delivery to the end user.

The guarantee does not cover breakdown if this is a consequence of incorrect installation, inappropriate treatment or inadequate use of the product. Repairs must be carried out by a technical service company approved by Kartsana or its respective representative.

The manufacturer will not accept responsibility for any anomaly caused to the rail by using products that have not originated from Kartsana.

1.3.- Important!



This sign is used to draw your attention to important safety measures with regard to the correct use of the rail and to avoid potential accidents.



To avoid malfunction, do not cause any damage to the areas where the stretcher mechanisms are located.

For the anchored one of the rail in the ambulance to use, as minimum, the screws indicated in the site planes fixings of the rail in the ambulance.

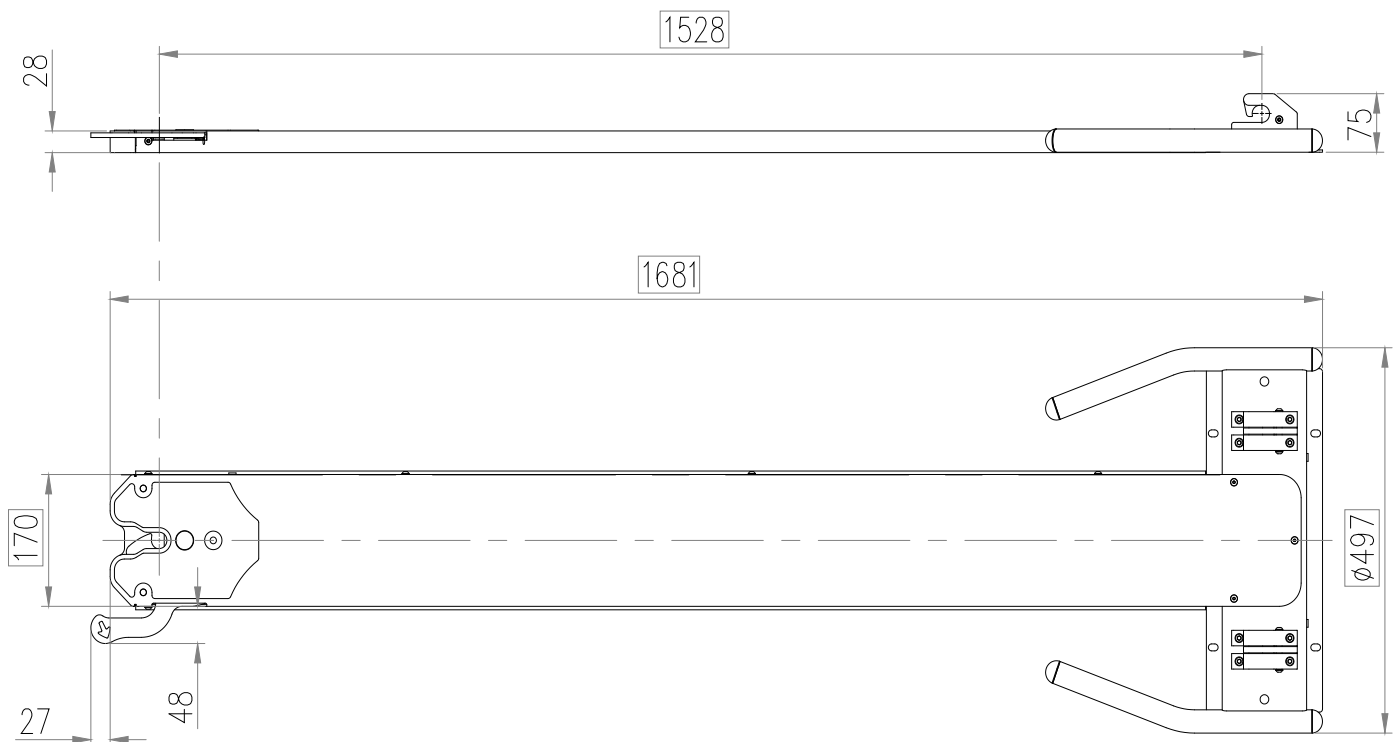
2.- INSTRUCTION MANUAL

2.1.- Technical characteristics 450 S

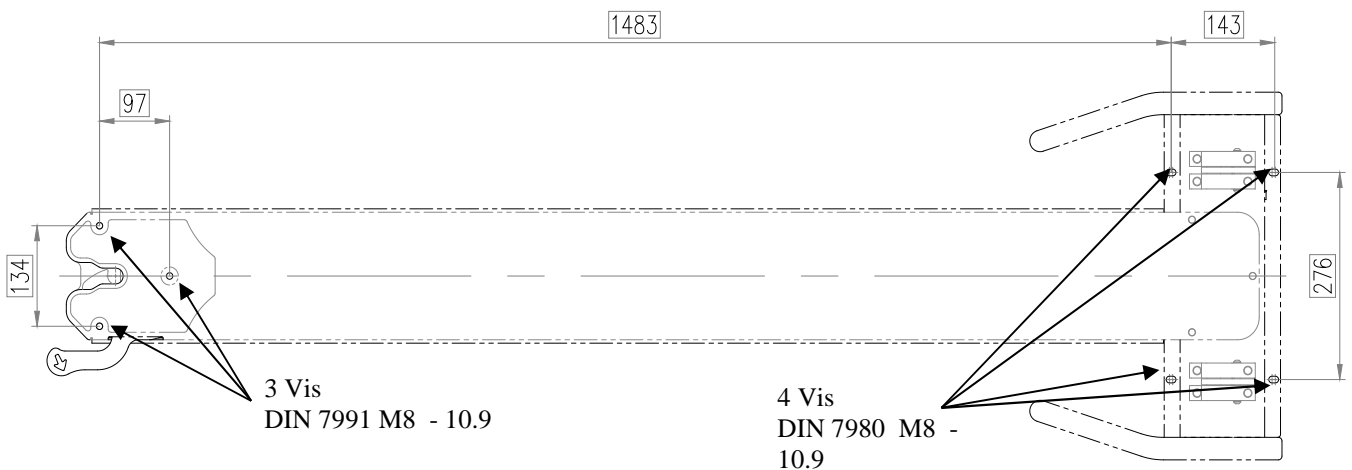
The R-450 S anchoring rail has been designed for the optimum securing of Kartsana models TG-241, TG-242-3, TGR-400, TG-860 A, MTR-116 A, MTR-116 and MT-116.

Weight of rail: 8,5 Kg.

rail measurements (in mm.) as per diagram below:



The position of the drills and the screws of fixation in the ambulance are the following ones:



2.2.- Rail operation and handling

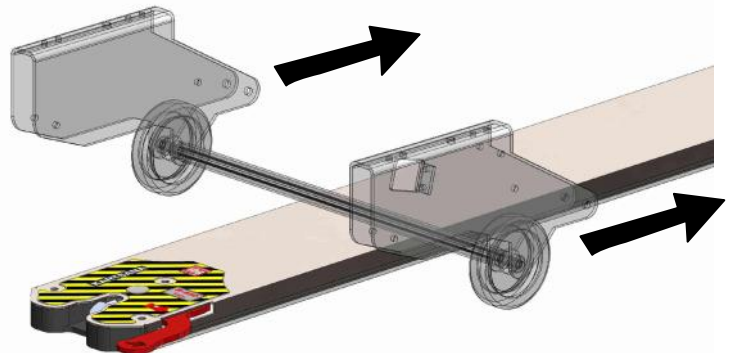


To avoid potential injury to extremities or other body parts, do not place these in the way of the rail's moving parts.

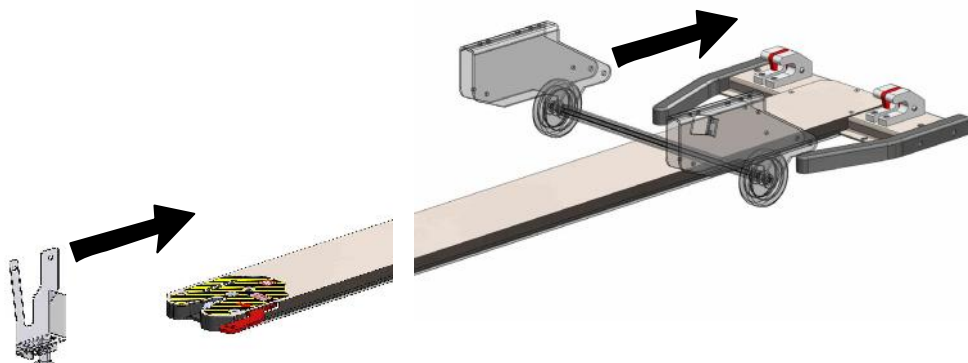
Note: The back part of the rail corresponds to the section where the rail activation mechanism is located.

2.2.1.- Immobilizing the stretcher on the rail.

- Position the stretcher in front of the rail.
- Position the forward wheels of the stretcher at the base of the rail. Slide the stretcher onto the rail, making sure the forward wheels are guided by the rail guides (see diagram below) until the front wheels are resting on the border of the base of the rail.

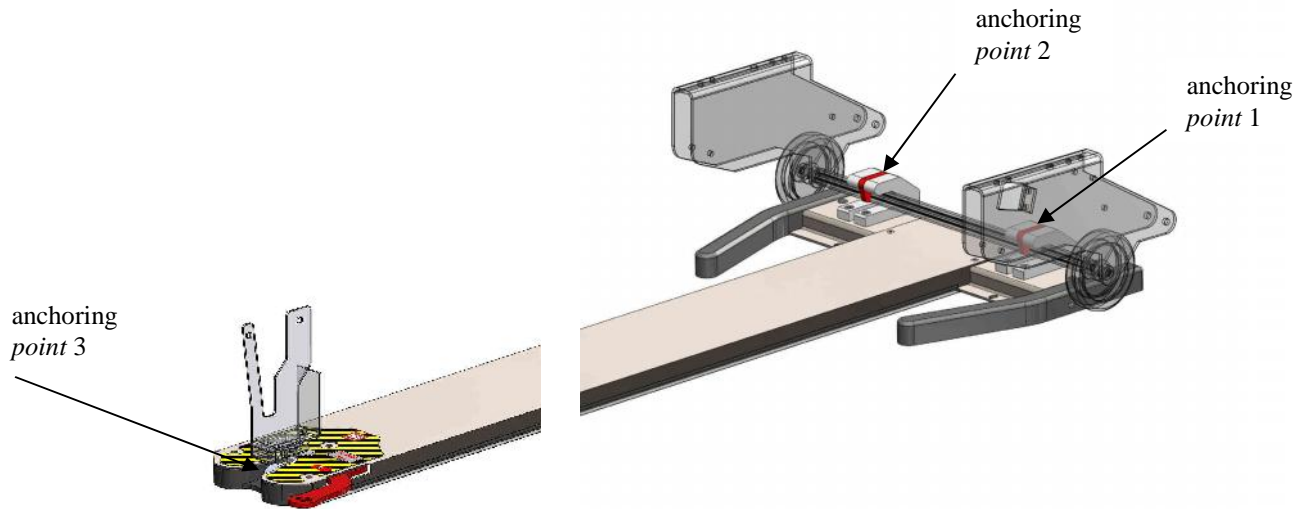


- Release the stretcher's front wheels and slide it onto the rail until the back leg has also come to rest against the border at the base of the rail.
- Release the back leg so as to be able to finish sliding the whole stretcher onto the rail.



OPERATION AND HANDLING OF RAIL R 450 S INOX.

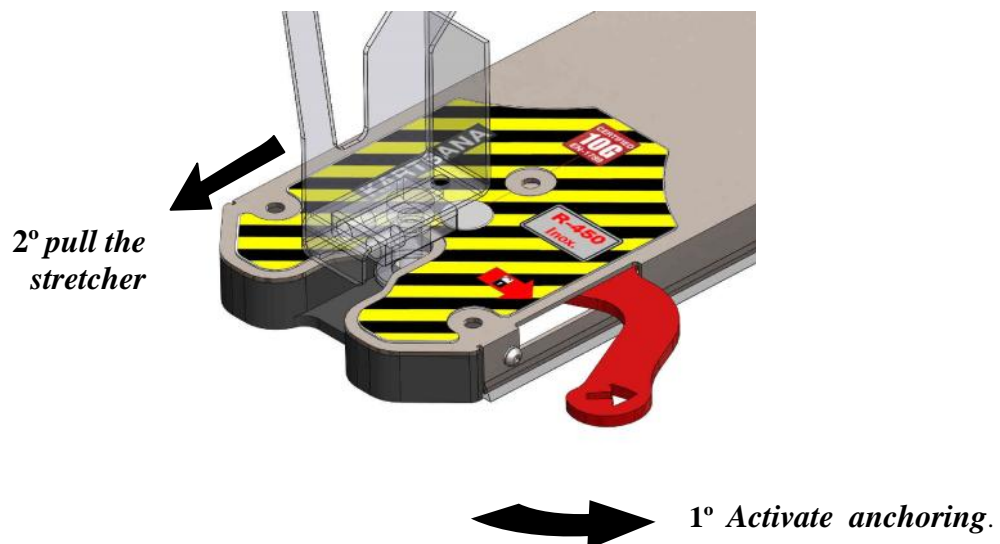
- Make sure that the stretcher is properly immobilized on the rail at the three anchoring points.



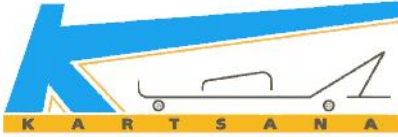
When releasing the stretcher legs on installing the stretcher on the rail, hold the stretcher firmly to prevent it falling.

2.2.2.- Releasing the stretcher from the rail.

- Activate anchoring point number 3, as shown in the diagram below.



- Pull the stretcher away from the rail to extract it.
- Release the back leg and front leg respectively before they come to border at the base of the rail to prevent the stretcher falling to the ground with the legs still folded.



OPERATION AND HANDLING OF RAIL R 450 S INOX.

3.- DISINFECTION

To disinfect the rail, use products that will not cause any damage to the material of the surface area to be disinfected, using a cloth, sponge or similar. If the area to be disinfected is oiled, lubricated it once again once disinfection has been completed.

Please use disinfectants in accordance with the manufacturer's instructions.

The manufacturer will not accept responsibility for any damage or anomaly caused by using a cleaning product that may damage the surface material of the rail.

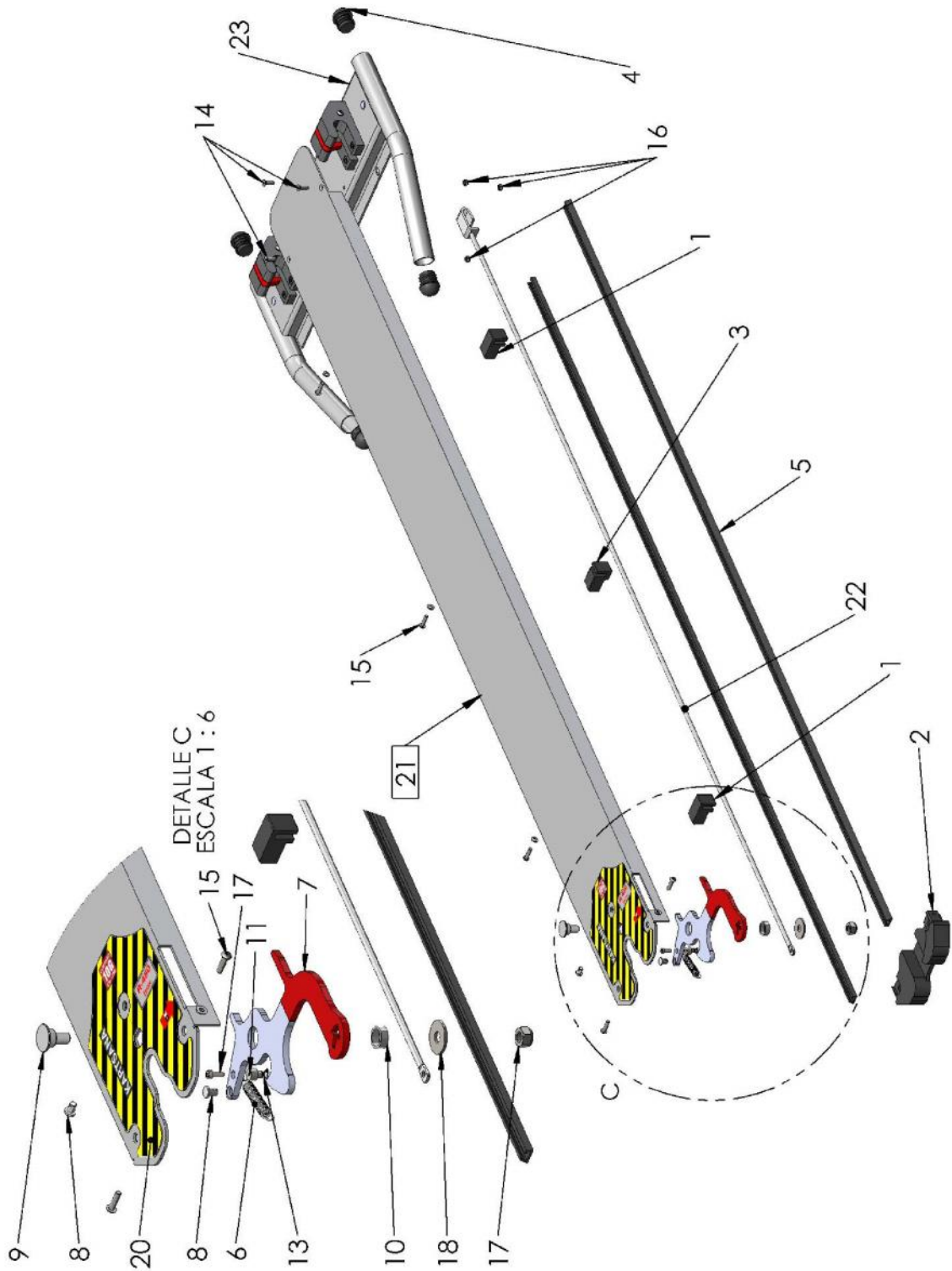
For reasons of hygiene and to safeguard the product's components, the manufacturer recommends that the product is disinfected after every use.

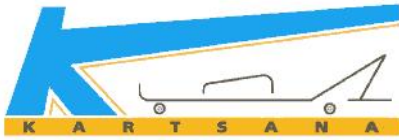
1.- MAINTENANCE

Check and oil the moving parts and areas subject to friction every two months.

It will also be necessary to check the parts used for immobilization purposes. We recommend servicing by a specialist from our company every six months during which a general inspection will be carried out and any parts which may have deteriorated or worn out through use can be replaced.

4.- Exploded view R-450 S Inox





OPERATION AND HANDLING OF RAIL R 450 S INOX.

N.º	Referencia	Descripción	CANT.
1	05-0307-002	GUIDE R-450-I	2
2	05-0309-001	GUIDE BASE R-450-I	1
3	05-0375-001	UPPER GUIDE R-450	1
4	06-0074-001	FINE ROUND PLUG R8 d 30 x 22 x 15	4
5	08-0015-001	RUBBER PROFILE BASE R-450-I	2
6	09-0060-001	ACTUATOR SPRING R-450	1
7	11-0713-001	BLOCK HOOK R-450-N	1
8	12-0159-001	GRIP CAP CABLE R-450 N	2
9	12-0366-001	BOLT R-450-I	1
10	12-0367-001	BOLT R-450-II	1
11	12-0526-001	HOOKE'S AXES SERIE R-450	1
17	13-0006-001	ALLEN DIN 912 M4X12 - 8.8 GALVANIZED	1
13	13-0214-001	RETAINING RING FOR SHAFTS EXT. $\varnothing 6$	1
14	13-0353-001	ALLEN DIN 7991 DIN 7991 M5X16 inox	3
15	13-0355-001	DIN 7380 ULS INOX. M5X20	5
16	13-0356-001	NUT INOX. BLOCK M5	3
17	13-0358-001	NUT INOX. BLOCK M10	1
18	13-0359-001	WIDE WASHER INOX. d10	1
19	13-0360-001	WASHER INOX. d5	5
20	14-0137-001	LABEL R-450 I	1
21	50-0462-003	WELDED PLATE ASSEMBLY. R-450 N INOX	1
22	50-0538-001	PRESSED ROD INOX	1
23	52-0597-004	WELDED HOOKS R-450	1

Both profiles of gum from the lower part are provided by separate and all must be placed during the mounting into the ambulance.